

Stainless Steel- Cabinet U-handles

tall design

SPECIFICATION

Stainless Steel **NI**
AISI 303

- matte shot-blasted **GS**
- plastic coated
black, RAL 9005, textured finish **SW**

INFORMATION

Stainless Steel-Cabinet U-handles GN 435, tall design, are made from bent round profiles and are designed for applications requiring more height for gripping. For example, this makes it possible to grab or hold the handle while wearing safety gloves. Some dimensions also satisfy the crane access standard DIN EN 13856.

In addition to serving as a handle, it can also be used as a hose guide, retaining bracket or the like.

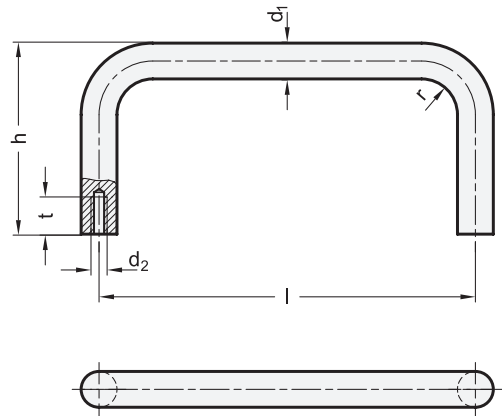
Due to the manufacturing process, **special designs** can be supplied even in relatively small quantities.

ON REQUEST

- other dimensions
- other materials
- other finishes

TECHNICAL INFORMATION

- Load rating information of hinges (see page A40)
- Stainless Steel characteristics (see page A26)



GN 435

STAINLESS STEEL

Description	d1	l ±0.5	h	d2	r	t min.	⚖
GN 435-NI-12-125-75-GS	12	125	75	M 6	14	12	214
GN 435-NI-12-125-75-SW	12	125	75	M 6	14	12	214
GN 435-NI-12-160-75-GS	12	160	75	M 6	14	12	245
GN 435-NI-12-160-75-SW	12	160	75	M 6	14	12	245
GN 435-NI-12-200-75-GS	12	200	75	M 6	14	12	281
GN 435-NI-12-200-75-SW	12	200	75	M 6	14	12	281
GN 435-NI-12-125-110-GS	12	125	110	M 6	14	12	277
GN 435-NI-12-125-110-SW	12	125	110	M 6	14	12	277
GN 435-NI-12-160-110-GS	12	160	110	M 6	14	12	308
GN 435-NI-12-160-110-SW	12	160	110	M 6	14	12	308
GN 435-NI-12-200-110-GS	12	200	110	M 6	14	12	344
GN 435-NI-12-200-110-SW	12	200	110	M 6	14	12	344
GN 435-NI-16-160-85-GS	16	160	85	M 6	18	12	458
GN 435-NI-16-160-85-SW	16	160	85	M 6	18	12	458
GN 435-NI-16-200-85-GS	16	200	85	M 6	18	12	521
GN 435-NI-16-200-85-SW	16	200	85	M 6	18	12	521
GN 435-NI-16-300-85-GS	16	300	85	M 6	18	12	680
GN 435-NI-16-300-85-SW	16	300	85	M 6	18	12	680
GN 435-NI-16-160-125-GS	16	160	125	M 6	18	12	585
GN 435-NI-16-160-125-SW	16	160	125	M 6	18	12	585
GN 435-NI-16-200-125-GS	16	200	125	M 6	18	12	648
GN 435-NI-16-200-125-SW	16	200	125	M 6	18	12	648
GN 435-NI-16-300-125-GS	16	300	125	M 6	18	12	807
GN 435-NI-16-300-125-SW	16	300	125	M 6	18	12	807